

42" HD Medical Display

FS-L4202D

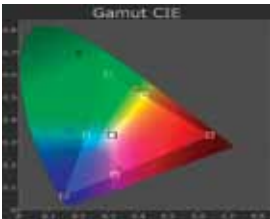
www.foreeseonusa.com



When Clarity Matters Most

At Foreeseon, we understand that although space is limited in the OR, quality can not be compromised. Our complete selection of medical monitors offer functionality, reliability, and all major inputs: DVI, VGA, Component, Composite, S-video, SOG, HDSI and fiber.

Accurate Color Reproduction



In the OR, it is particularly important to have a correctly calibrated monitor. Foreeseon has implemented technologies to accomplish this. We have the ability to clamp down the visible color spectrum, ensuring that the doctor sees exactly what they expect to see. Three distinct color spaces, each calibrated to well known

surgical color preferences, are pre-installed in every monitor. In addition, fine tune adjustments can be made at any time.

Multi-Display Modes



PIP (Picture-In-Picture) and PBP (Picture-By-Picture) are available to simultaneously display crucial data or additional images on the same screen. Other features available are: Zoom, counter, Pan, OSD lock and Freeze. Our displays have a GPIO connector that

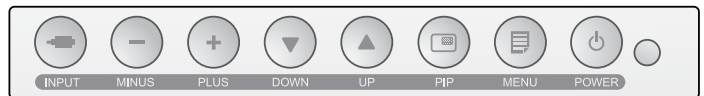
allows menu functions to be controlled externally without RS232 commands. For internal menu control, an intuitive key pad is located on the front on each display.



- High definition picture
- Designed for medical use
- Rugged, liquid resistant housing
- Anti-reflection glass
- Anti-scratch acrylic
- Mounts securely
- Firmware can be upgraded and customized to specific needs

Durable and Easy to Mount

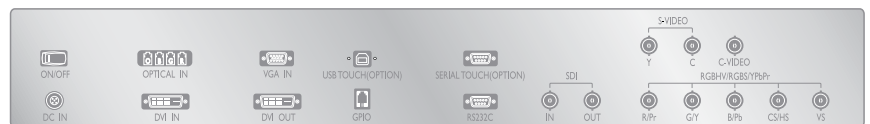
Each Foreeseon display is housed within a rugged aluminum IPX1 enclosure, and comes with a choice of AR (anti-reflection) glass or an acrylic anti-scratch protective screen. The back cover comes with a pattern of VESA mounting holes, making connection to a boom arm or custom yoke an easy task.



For monitor menu control, an intuitive key pad with a sealed membrane covering is located on the front of each display.

OPHIT

Opहित is a strategic partner of Foreeseon Custom Displays. The full line of fiber optic products available from Ophit are designed to provide the very best in digital video and audio extension systems.



Foreeseon displays have the connections you need. All major inputs are accepted via the back side connection panel. There are even connections for optional touchscreen capability.

Foreeseon USA

2210 E. Winston Road
Anaheim, CA 92806
Tel: 714-300-0540
Fax: 714-300-0546
www.foreeseonusa.com

2 Executive Drive, Suite 850
Fort Lee, NJ 07024
Tel: 201-292-1820/1821
Fax: 201-292-1899

Foreeseon GmbH

Benzstr.9
61352 Bad Homburg, Germany
Tel: +49(0)6172-185310-15
Fax: +49(0)6172-185310-11

Foreeseon UK Ltd.

Unit 2 Kingsmill Business Park
Chapel Mill Road
Kingston upon Thames, Surrey KT1 3GZ
Tel: 44 (0) 208 546 1047
Fax: 44 (0) 208 546 3931

Foreeseon Korea

Gang Nam Main Tower #801
1357-66 Seo-cho Dong
Seoul, 137-070 Korea
Tel: 82-2-521-5296
Fax: 82-2-521-5207

D&T Inc.

59-9 Jang-Dong, Yuseong-Gu
Daejeon City, Korea, 305-343
Tel: 82-42-360-8000
Fax: 82-42-360-8005

Specifications



FS-L4202D

www.foreseesonusa.com

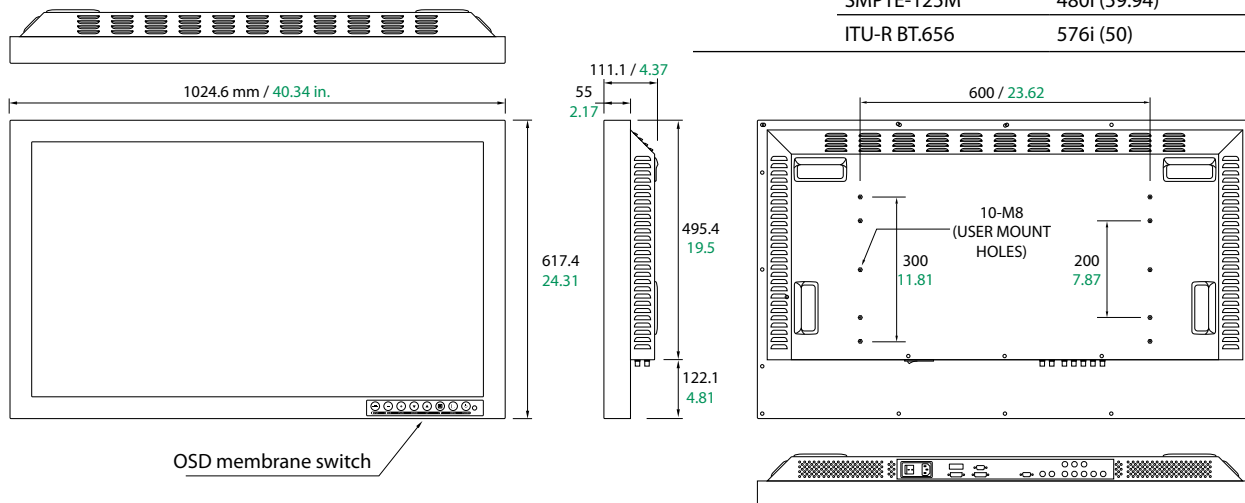


General Features

Item	Description
Panel	42" (LG Display)
Resolution	1920 x 1080 pixel
Input Signal	1 x DVI 1 x Optical DVI 1 x D-SUB 1 x BNC (SDI) 1 x BNC (CVBS) 2 x BNC (SVHS Y/C) 5 x BNC (Component Y/G, Pb/B, Pr/R, H/CS, VS Input)
TOUCH (optional)	(Note: Depth and weight will increase)
GPIO port	Swap, PIP / PBP1 / PBP2 Select, Record indicator
Output Signal	1 x DVI & 1 x BNC (SDI)
Power Supply	AC/DC Adaptor (AC 100~240V, 6.3A)
Control Key	Power, Menu, PIP, Up, Down, Plus, Minus, Input
Unit Dimension	1024.6(W) x 617.4(H) x 111.1(D) mm 40.34(W) x 24.31(H) x 4.37(D) inch
Average Brightness	500 (5 points avg.) cd/m2
Response Time (G-to-G)	6 ms (avg.)
Viewing Angle (CR>10)	R/L 178, U/D 178
Weight	28 kg, 61.7 lbs
Contrast Ratio	1300 : 1 typical
Pixel Pitch	0.4845 x 0.4845

Signal Timing

Input Signal	Type	Description
VGA	Type	Analog RGB
	Connector	DSUB-15
	Level	0.7Vp-p ±5%
	Polarity	Positive
	Impedance	75 ohm ±5%
	Horizontal frequency	30 ~ 93KHz
	Vertical frequency	50 ~ 85Hz
	Applicable maximum pixel frequency	170MHz
	Type	Separate H/V sync, Composite H/V sync, Sync On Green Automatic synchronization without external switch
	Terminal resistance	more than 2KΩ
DVI	Type	Digital RGB
	Signal Format	TMDS single link
Optical DVI	Connector	DVI-D
	Type	Digital RGB
CVBS	Signal Format	Fiber Optic Transmission
	Type	C-Video
	Color system	NTSC, PAL
SVHS Y/C	Signal Format	Composite Video Signal
	Type	S-Video
	Color system	NTSC, PAL
SDI	Signal Format	Y/C Separated Video Signal
	SMPTE-274M	1080i (60 / 59.94 / 50)
	SMPTE-296M	1080p (30 / 29.97 / 25 / 24 / 24sF / 23.98 / 23.98sF)
	SMPTE-260M	720p (60 / 59.94 / 50)
	SMPTE-125M	1035i (60 / 59.94)
	ITU-R BT.656	480i (59.94)
		576i (50)



Specifications are subject to change with or without notice. Doc. # FSN1920 Rev. 10/11

Foreseeson USA

2210 E. Winston Road
Anaheim, CA 92806
Tel: 714-300-0540
Fax: 714-300-0546
www.foreseesonusa.com

2 Executive Drive, Suite 850
Fort Lee, NJ 07024
Tel: 201-292-1820/1821
Fax: 201-292-1899

Foreseeson GmbH

Benzstr.9
61352 Bad Homburg, Germany
Tel: +49(0)6172-185310-15
Fax: +49(0)6172-185310-11

Foreseeson UK Ltd.

Unit 2 Kingsmill Business Park
Chapel Mill Road
Kingston upon Thames, Surrey KT1 3GZ
Tel: 44 (0) 208 546 1047
Fax: 44 (0) 208 546 3931

Foreseeson Korea

Gang Nam Main Tower #801
1357-66 Seo-cho Dong
Seoul, 137-070 Korea
Tel: 82-2-521-5296
Fax: 82-2-521-5207

D&T Inc.

59-9 Jang-Dong, Yuseong-Gu
Daejeon City, Korea, 305-343
Tel: 82-42-360-8000
Fax: 82-42-360-8005