

DXC390 1/3" 3CCD NTSC Camera, Exwave HAD

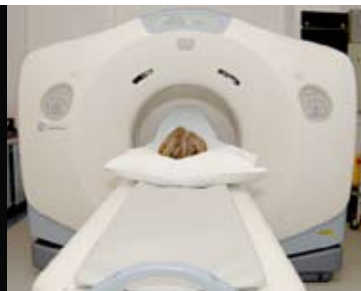
With so many functions, the DXC-390/P is the perfect choice for a variety of applications

SONY

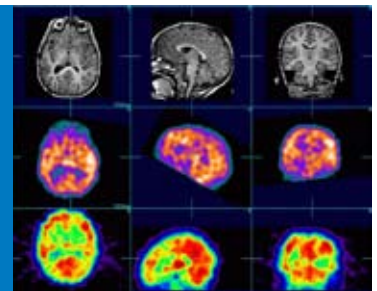


- High Resolution - 800 TVL
- Color Reproduction - 3CCD with new 10 Bit DSP Technology
- Compact Size - 56x50x128mm
- Lightweight - 370g or approximately 13 oz.
- C Mount

When high resolution and maximum camera sensitivity is a must, Sony's DXC-390 1/3" type DSP 3-CCD color video camera delivers the goods. Ideal for point of view, machine vision and industrial microscopy applications, the DXC-390 incorporates Exwave HAD™ technology - the Sony technology that greatly improves camera sensitivity (F8 at 2000 lx) while reducing smear compared to previous CCD technologies. Using a C mount lens and providing resolution of 800 TVL and a high S/N ration of 62 dB, this camera is also well-suited for portrait proofing, amusement rides, sports shooting, board rooms, and scientific image capture applications. (Also available in PAL -- model DXC-390P.)



- **Quality**
- **Service**
- **Value**
- **Technology**

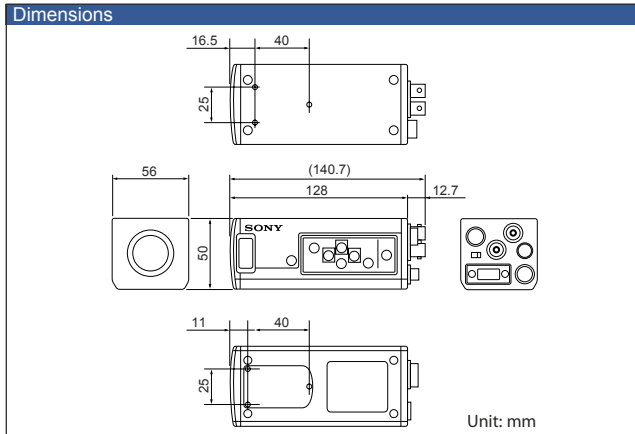


Ampronix understands that today's medical technology is in constant evolution. Budgets and patient care balanced but never compromised. Service, replace, or upgrade seems the order of the day in dealing with aging technology. We provide more products and more choices for your Displays, CRTs, LCDs, Cameras, Recorders, Printers, Dicom and Bridging Technologies.



SONY DXC390

Specifications	
Pick-up device	1/3" type IT (Interline Transfer) CCD
Effective picture elements	NTSC: 768(H) x 494(V) PAL: 752(H) x 582(V)
Sensing area	6.00(H) x 4.96(V) mm
Scanning system	NTSC: 2:1 interlaced, 525 lines PAL: 2:1 interlaced, 625 lines
Horizontal frequency	NTSC: 15.734 kHz PAL: 15.625 kHz
Vertical frequency	NTSC: 60 Hz PAL: 50 Hz
Sync system	Internal or External with VBS, HD/VD
Phase control	H/ SC phase control
Horizontal resolution	800TV lines
Sensitivity	F8.0 at 2000 lx
Minimum illumination	4 lx (F2, GAIN: HYPER)
S/N ratio	NTSC: 62 dB PAL: 61 dB
Gain	STEP/ AGC/ HYPER selectable
Electronic shutter	OFF/ STEP/ VARIABLE/ CCD IRIS selectable
Lens	Remote (Auto or Manual)/ Video selectable
AE area	Multi/ Large/ Medium/ Spot/ Slit/ Manual selectable
AE level	Variable
AE speed	Fast/ Mid/ Slow selectable
AE detect	Average/ Peak selectable
Contrast Effect	Manual/ DynaLatitude/ DCC+ selectable
Knee Point	High/ Normal/ Low selectable (Contrast Effect: Manual)
Black stretch	Variable (Contrast Effect: Manual)
Gamma	ON/ OFF Variable
Pedestal	Master and R/B Manual adjustable
Black balance	ABB
White balance	AWB/ ATW NORMAL/ ATW WIDE/ MANUAL/ 3200K/ 5600K selectable AWB or ATW R/B Paint, MANUAL R/B Gain
ATW area	NORMAL/ MANU selectable
ATW speed	FAST/ NORMAL/ SLOW selectable
Detail level	ON/ OFF (Variable at ON)
Detail Frequency	HIGH/ MID/ LOW selectable
Linear matrix	ON/ OFF
Linear matrix MODE	STANDARD/ R Enhance/ G Enhance/ B Enhance/ Manual selectable
Partial Enhance	ALL/ IN/ OUT selectable
CCD integration mode	FIELD/ FRAME selectable
Shading Compensation	OFF / ON (Manual control)
Trigger Polarity	Positive edge trigger / Negative edge trigger selectable
Baud rate	19200/ 9600/ 4800/ 2400/ 1200 selectable
Sync	RGB/ G/ OFF selectable
Strobe	ON/ OFF



User File	A/ B switchable (Two pattern memories)
Scene File	STANDARD/ MICROSCOPE/ FULL AUTO/ STROBE/FILE A or B
Output signal	VBS/RGB/SYNC/Y/C
Operating temperature	-5°C to 45°C
Storage temperature	-20°C to 60°C
Power requirements	DC 10.5 V to 15.0 V
Power consumption	Approx. 7.6 W
Dimensions	56(W) x 50(H) x 128(D) mm (2 1/4 x 2 x 5 1/8 inches) (Excluding projecting parts)
Mass	Approx. 370 g (13 oz)
Connectors	Lens (6 pin) RGB/SYNC (9 pin D-sub) DC IN/VBS (12 pin) VIDEO OUT (BNC) TRIGGER IN (BNC) REMOTE (8 pin mini DIN)

Supplied accessories

<ul style="list-style-type: none"> Lens cap (1) Tripod adapter (1) Operation manual (1) Panel sheet for RM-C950

Optional accessories

Lens	VCL-610WEA/614WEA VCL-08WM/16WM/25WM
Remote control unit	RM-C950
Camera adapter	CMA-D2/ CE, CMA-D3/ CE
Microscope adapter	MVA-15
Microscope coupler	MVAC-33-N/33-O/33-SM
Camera cable	CCDC-5/10/25/50A/100A CCMC-12P02/05/10/25 CCXC-9DBS CCMC-9DS CCMC-3MZ CCZ-A2/A5/A10/A25/A50/A100

DXC-390/DXC-390P Connector Pin Assignments

